



PERFORMANCES

MODELS	m ³ /h	l/s	Pa	W	dB (A)*
TUBO 100	90	25	25	14	38
TUBO 120	180	50	35	18	44
TUBO 150	320	89	69	40	51

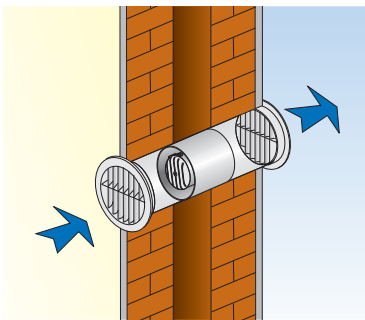
*Lp(A) measured at 3m in open field 230V-50Hz.



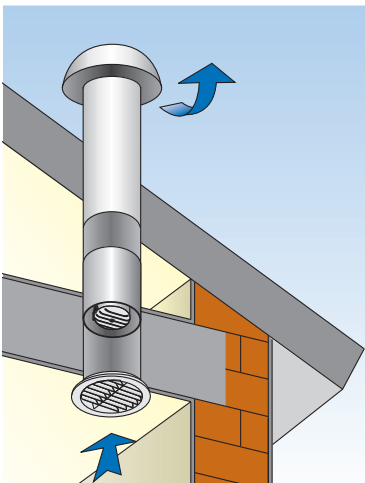
Comply with ErP Directive 2009/125/CE and EU Regulation 327/2011 (Classification: FAN)

- Suitable for intake / extract ventilation
- Ideal for conveying air between two separate rooms
- Invisible and efficient: no fan into the room
- Metal or Technopolymer versions
- Long Life sleeve bearing motor

INSTALLATION

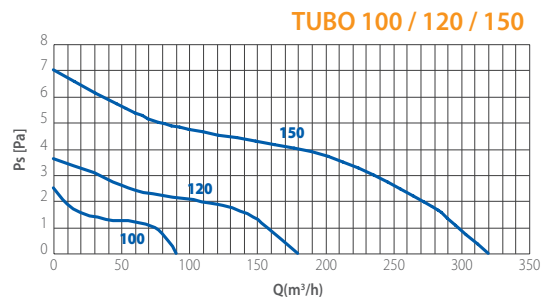


WALL



CEILING

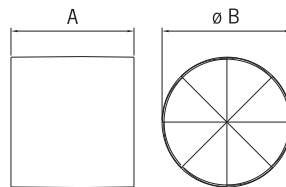
CURVES



VERSIONS

- STANDARD**
On/off through light or remote control switch.
- TIMER**
Integral electronic timer adjustable from 3 to 25 minutes (available on TUBO TP only).

DIMENSIONS (mm)



MODELS	A	Ø B	Kg.
TUBO 100	92	97	0,4
TUBO 120	97	119	0,6
TUBO 150	125	151	0,8