

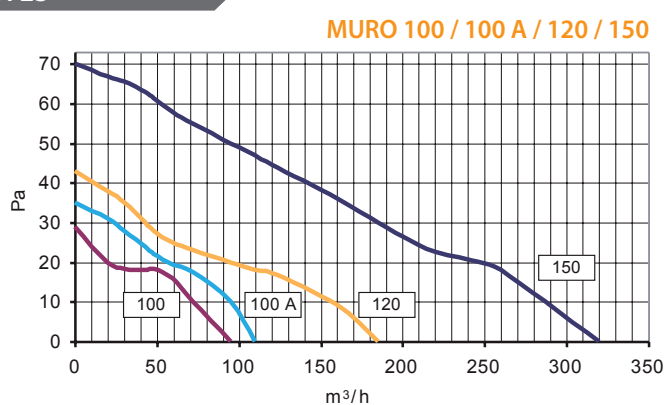


PERFORMANCES

MODELS	m ³ /h	Pa	W	dB(A)	PROTECTION
MURO 100	95	29	11	39	IPX4
MURO 120	180	43	15	42	IPX4
MURO 150	320	70	25	49	IPX4
MURO 100 A	110	35	11	39	IPX4
MURO 100 PIR	95	27	14	39	IPX2

*Lp(A) measured at 3m in open field 230V-50Hz.

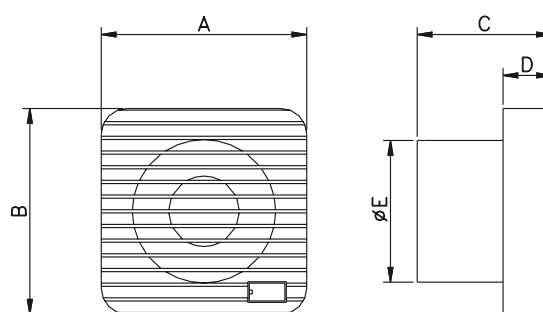
CURVES



Comply with ErP Directive 2009/125/CE and EU Regulation 1253/2014 (Classification: Residential Ventilation Unit)

- To exhaust air directly to the outside or into a short length ducting (max 3 m length).
- Suitable for toilets, bathrooms, WC's, shower-rooms, utility rooms and kitchens.
- For wall, panel and ceiling installation.
- Available sizes: Ø 100, Ø 120, Ø 150.
- Manufactured in shock-proof high quality technopolymer.
- Maintenance free, self lubricating sleeve bearing motor for long life and noiseless running.
- Induction motor with overheating protection 230V – 50 Hz.
- Easy maintenance and cleaning.
- MURO 100 A with electric opening of the grille.

DIMENSIONS (mm)



MODEL	A	B	C	D	E	Kg
MURO 100 / 100 PIR	140	140	92	33	97	0,7
MURO 100 A	155	155	91	37	97	0,8
MURO 120	160	160	103	33	119	0,8
MURO 150	180	180	128	33	148	1,2